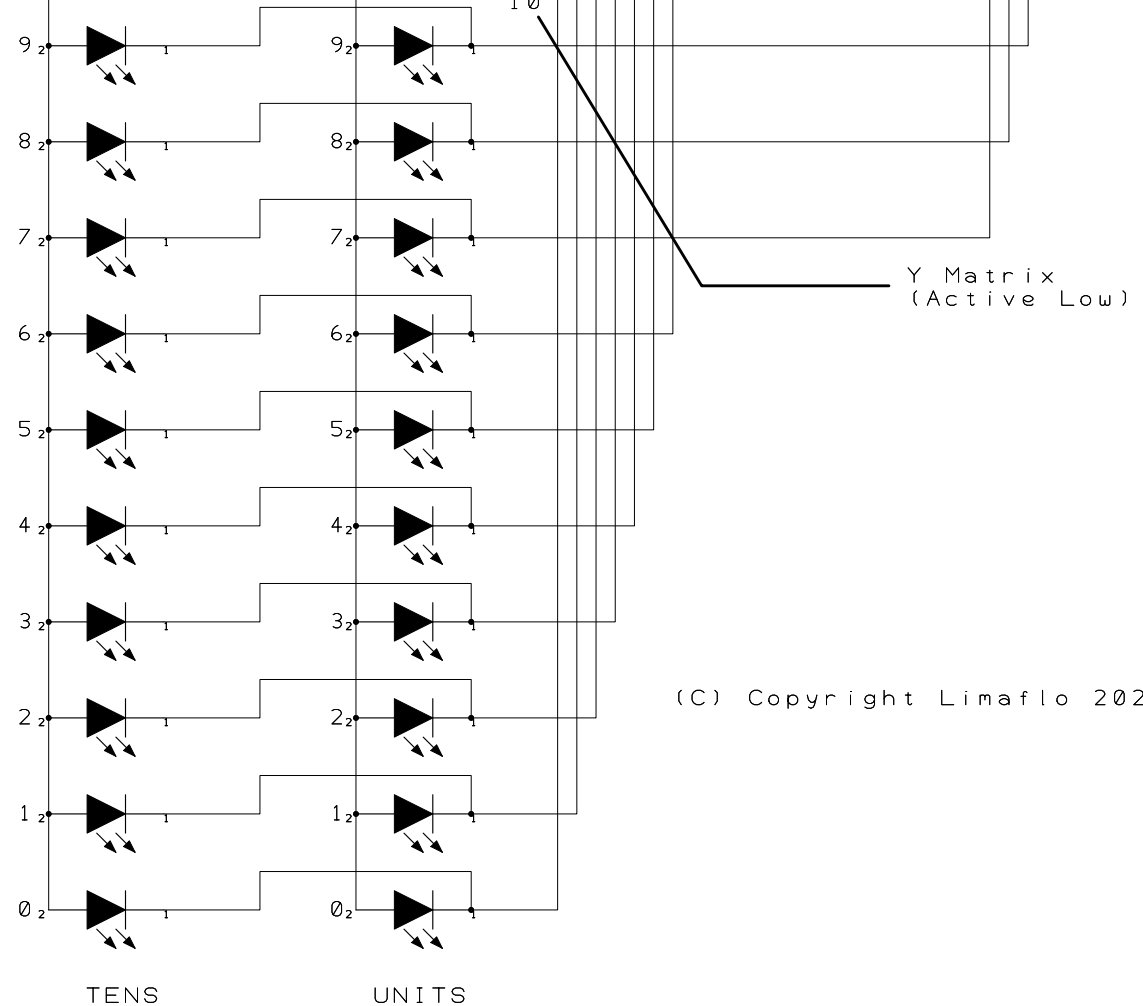


X Matrix (Active High)

Y Matrix (Active Low)

TABLE

Binary Code (A0 to A3)	LED#
0000	0
0001	1
0010	2
0011	3
0100	4
0101	5
0110	6
0111	7
1000	8
1001	9
>= 1010	All off



(C) Copyright Limaflo 2023